






-  Pressure round external manlids
-  Portes extérieures rondes à pression
-  Runde Außentüren mit Druck
-  Puertas exteriores redondas con presión
-  Chiusino superiore con graffe di chiusura

ISO 9001

BUREAU VERITAS
Certification



- ◆ 7023 200
- ◆ 7023 300
- ◆ 7023 350
- ◆ 7023 400
- ◆ 7023 430
- ◆ 7023 450
- ◆ 7023 500

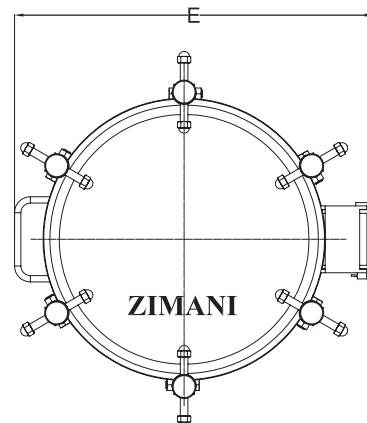
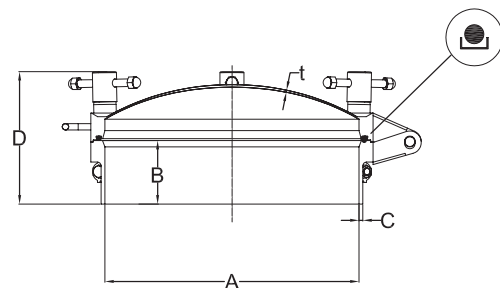


STANDARD SIZE/* At temperature 50°C / 122 °F

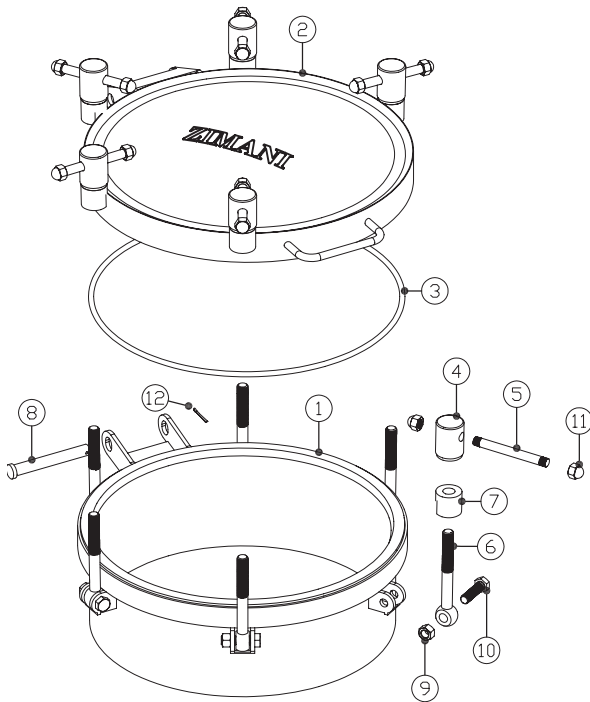
CODE	A	OD×C	BOLTS	B	T	P.MAX
	mm	mm	No. of	mm	mm	bar
7023 200	200	208×4.0	4	100	3.5	7.0
7023 300	300	308×4.0	4/6	100	3.5	6.5
7023 350	350	358×4.0	4/6	100	3.5	6.0
7023 400	450	458×4.0	4/6/8	100	3.5	5.5
7023 430	430	438×4.0	4/6/8	100	3.5	5.5
7023 450	450	458×4.0	6/8/10	100	3.5	5.0
7023 500	500	510×5.0	6/8/10	100	4.0	4.5

IF YOU WANT TO CHECK FOR MORE DETAILS
PLEASE CHECK THE FOLLOWING DRAWING

*1BAR =14.5PSI=0.1MPA



HPSD Parts Drawing



GASKET

Part No.	Material	Color
7010-09 1	Silicon	White
7010-09 2	EPDM	Black
7010-09 3	FPM	Black

Item	Description	Material	Qty
1	Frame	1.4301/1.4404	1
2	Cover	1.4301/1.4404	1
3	Gasket	Silicon	1
4	Handle part	T304	6
5	Screw	T304	6
6	Swing bolt	T304	6
7	Hub	T304	6
8	Pin	T304	1
9	Nut	T304	6
10	Screw	T304	6
11	Nut	T304	12
12	Cotter Pin	T304	1

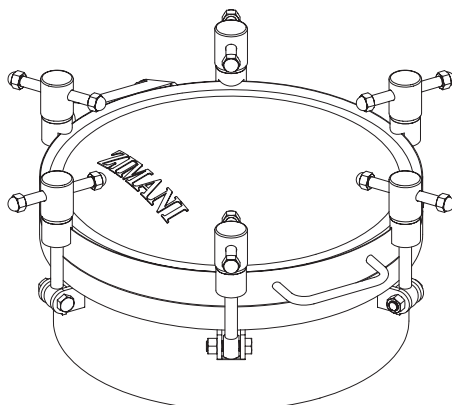
HPSSD Technology

TECHNICAL DATA

Working pressure: Acc. to table standard size.

Certificates

EN10204. 3.1 certificate



Options

Stainless Steel Finishes

POLISHED WITH RA (μ)

BEAD BLASTED

PICKLED : ON REQUEST

ELECTRO POLISHED

Cover & Frame Range

Cover Thickness	Frame/Neck Height
3.0 mm	85mm (3.35")
3.5 mm	100mm (3.94")
4.0 mm	120mm (4.72")
	150mm (5.91")
	200mm (7.76")
	250mm (9.85")

Note: Longer heights are also available.